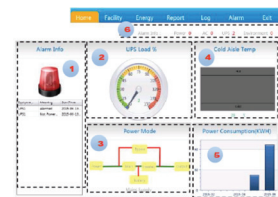


# DU Series Data Center Unit 15kVA UPS with Precision Cooling



DU Series integrates sealed IT cabinets with power supply, input power distribution, batteries, monitoring and precision air-conditioning.

A high efficiency data center solution that is easy to install.



## FEATURES

**Just install the IT data servers; modular UPS power, input power distribution, battery, precision cooling, IT cabinet, all in a single sealed package.**

- Air conditioning delivers air-flow accurately to key locations
- Emergency ventilation automatically engages if AC power fails
- Monitoring alarms and software reporting of power, temperature, humidity status
- Closed environment reduces noise and extends the life of IT equipment by preventing dust from entering the system

**Quick** – Modular systems install and configure quickly

**Efficient** – Next generation technology reduces energy remote consumption

**Smart** – 24x7 unattended operation with remote monitoring

**Reliable** – N+X and N+1/2N redundant designs

### Options

Extension IT rack cabinet

Extension battery cabinet

Battery pack

Fire suppression system (FM200)

Low temperature kit

Humidifying filter unit

Output extension module

ATS Module

Electronic lock

Voice / SMS alarm

SNMP card

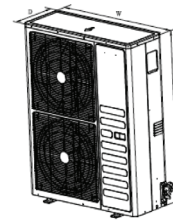
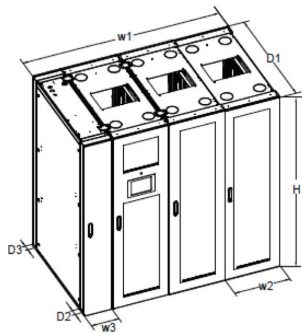
\*DU Series is also available without cooling

# INTEGRATED DATA CENTER UPS

## DU Series Data Center Unit

### 15kVA UPS with Precision Cooling

Cabinet	DU 1320A-C12.5	DU 1115E-C12.5
Cabinets (indoors) H x W x L, kg	In-row cooling, power and IT cabinet, 2000 x 1500 x 1280 mm, ≤610 kg / ≤585 kg	
Cabinets (Outdoors) H x W x L, kg	Air conditioner compressor, 1244 x 1014 x 400 mm, ≤61 kg	
Available IT rack space	19" 42 U	19" 42 U
<b>Power</b>		
Input	208 Vac 60 Hz Split Phase	380/400 Vac 50 Hz 3 Phase
Output	120 Vac 60 Hz 1 Phase	220/230 Vac 50 Hz 1 Phase
IT capacity	12 kW	12 kW
Input Power Distribution	208 Vac 160 A	380/400 Vac 80 A
Backup time	Determined by installed battery capacity	Determined by installed battery capacity
<b>Precision Cooling</b>		
Cooling capacity	12.5 kW	12.5 kW
In-row air supply	12.5 kW (208 Vac Split Phase)	12.5 kW (380/400 Vac 3 Phase)
<b>Monitoring</b>		
Local display	large 25 cm touch screen LCD display	
Temperature sensor	yes (1)	
Humidity sensor	yes (1)	
Smoke sensor	yes (1)	
Water detection	yes	
Camera	yes (1)	
Power distribution monitoring	yes	
Air conditioning monitoring	yes	
Emergency ventilation	yes	
<b>UPS</b>		
Capacity	10kVA/8kW 1P/1P x 2 pcs	15kVA/12 kW 3P/3P x 1 pcs
Battery	3 U rack space (battery pack not included)	6 U rack space (battery pack not included)



© Keatec Energy. All rights reserved. Keatec Energy reserves the right to change specifications without notice.  
 DS Keatec DU Series Data Center Unit 15kVA UPS with Precision Cooling English 20161118